

**PLEASE CHECK WWW.MOLEX.COM FOR LATEST PART INFORMATION**

**Part Number:** [0357303100](#)  
**Status:** **Active**  
**Description:** 3.96mm (.156") Diameter Pin Terminal, Brass, 0.40mm (.016") Thickness, Wire Range 14-20 AWG (2.00-0.52mm<sup>2</sup>), Unplated

**Documents:**

[Drawing \(PDF\)](#) [RoHS Certificate of Compliance \(PDF\)](#)  
[Product Specification PS-35730-001 \(PDF\)](#)

**General**

Product Family	Crimp Terminals
Series	<a href="#">35730</a>
Crimp Quality Equipment	Yes
Product Name	N/A

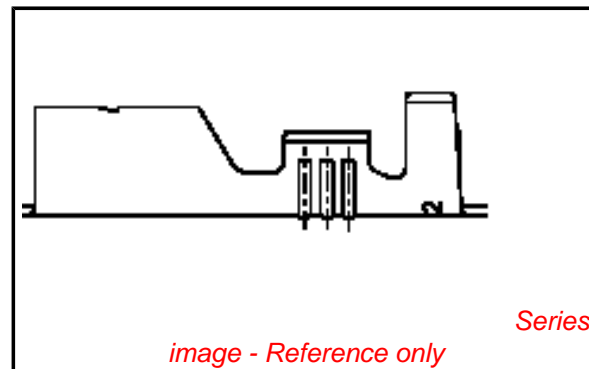
**Physical**

Gender	Female
Material - Metal	Brass
Material - Plating Mating	Unplated
Packaging Type	Reel
Termination Interface: Style	Crimp or Compression
Wire Insulation Diameter	3.50mm (.138") max.
Wire Size AWG	14, 16, 18, 20
Wire Size mm <sup>2</sup>	N/A

**Material Info**

**Reference - Drawing Numbers**

Product Specification	PS-35730-001
Sales Drawing	SD-35730-31*0



**EU RoHS**

**ELV and RoHS  
Compliant**  
**REACH SVHC  
Contains SVHC: No**  
**Halogen-Free  
Status**  
**Halogen-Free**

**China RoHS**



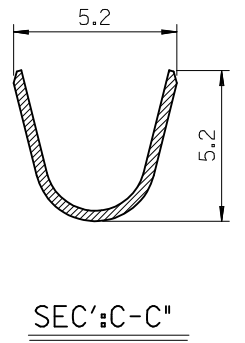
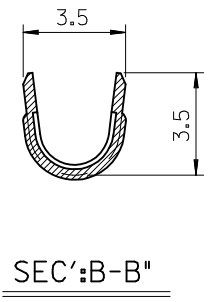
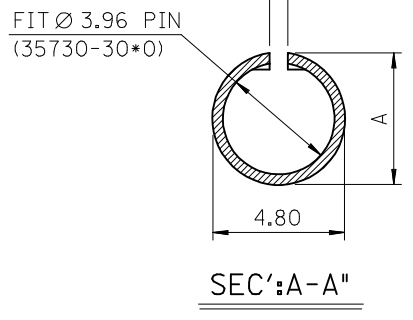
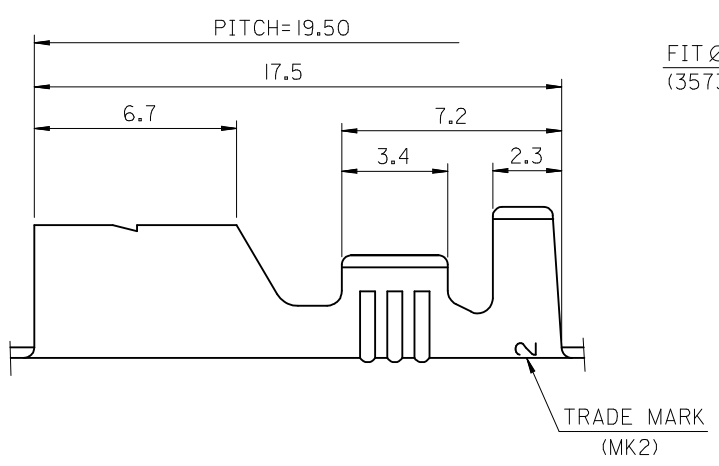
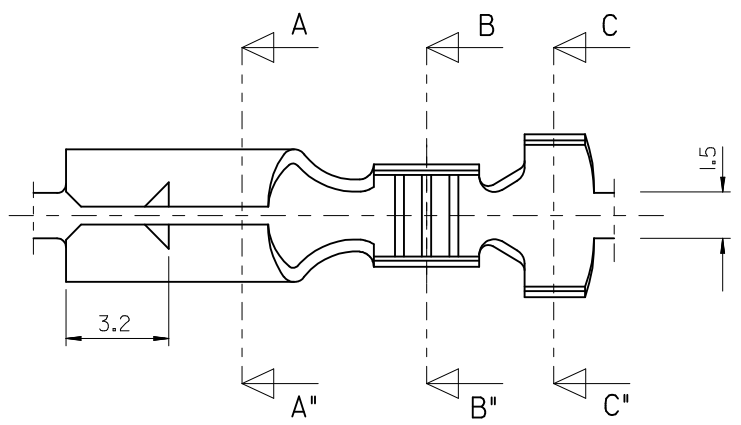
**Need more information on product  
environmental compliance?**

Email [productcompliance@molex.com](mailto:productcompliance@molex.com)  
 For a multiple part number RoHS Certificate of Compliance, [click here](#)

Please visit the [Contact Us](#) section for any non-product compliance questions.

**Search Parts in this Series**  
[35730Series](#)

**Mates With**  
[35730-30\\*0](#)



- NOTES
1. MATERIAL : BRASS
  2. FINISH : 35730-3100 : UNPLATED  
 @ 35730-3110 : TIN PLATED  
 1.0 μm MIN. TIN PLATING  
 OVERALL 0.3~0.8μm COPPER PLATING
  3. PRODUCT SPECIFICATION : PS-35730-001
  4. MATES WITH : 35730-30\*0
  5. APPLICABLE WIRE RANGE : AWG #20~#14

ENG.NO.	DIMENSION	
	A	B
35730-3100	4.50	0.70
35730-3110	4.60	0.90

TABLE1

REVISED EC NO: KOR2009-0115 DRWN: JHPARK01 2009/01/29 CHKD: W. YANG 2009/01/29 APPR: YUNSIKKIM 2009/01/29	REV	DESCRIPTION

QUALITY SYMBOLS ▽=0 ◻=0	GENERAL TOLERANCES (UNLESS SPECIFIED)	
	4 PLACES	± --- ± ---
	3 PLACES	± --- ± ---
	2 PLACES	± 0.20 ± ---
1 PLACE	± 0.30 ± ---	
	ANGULAR ± --- °	
DRAFT WHERE APPLICABLE MUST REMAIN WITHIN DIMENSIONS		

DIMENSION STYLE	
MM ONLY	
DRAWN BY	DATE
JS. KANG	1993/06/15
CHECKED BY	DATE
BK. CHOI	1993/06/15
APPROVED BY	DATE
CW. LEE	1993/06/15
MATERIAL NO.	
SEE NOTES	

SCALE	DESIGN UNITS	THIRD ANGLE PROJECTION 
6:1	METRIC	
TITLE		
3.96 PIN RECEPTACLE		
MOLEX INCORPORATED		SHEET NO.
DOCUMENT NO.		1 OF 01
SD-35730-31*0		